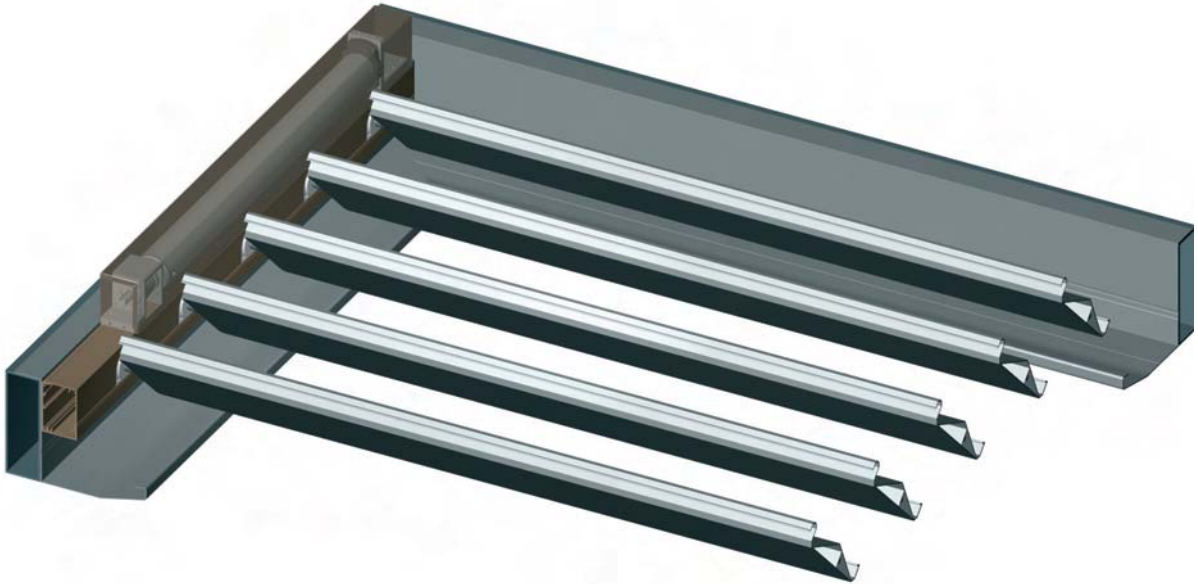


TECHNICAL DETAILS

180 LINEAR OPENING ROOF



CORNER SECTIONAL VIEW - MOTORISED



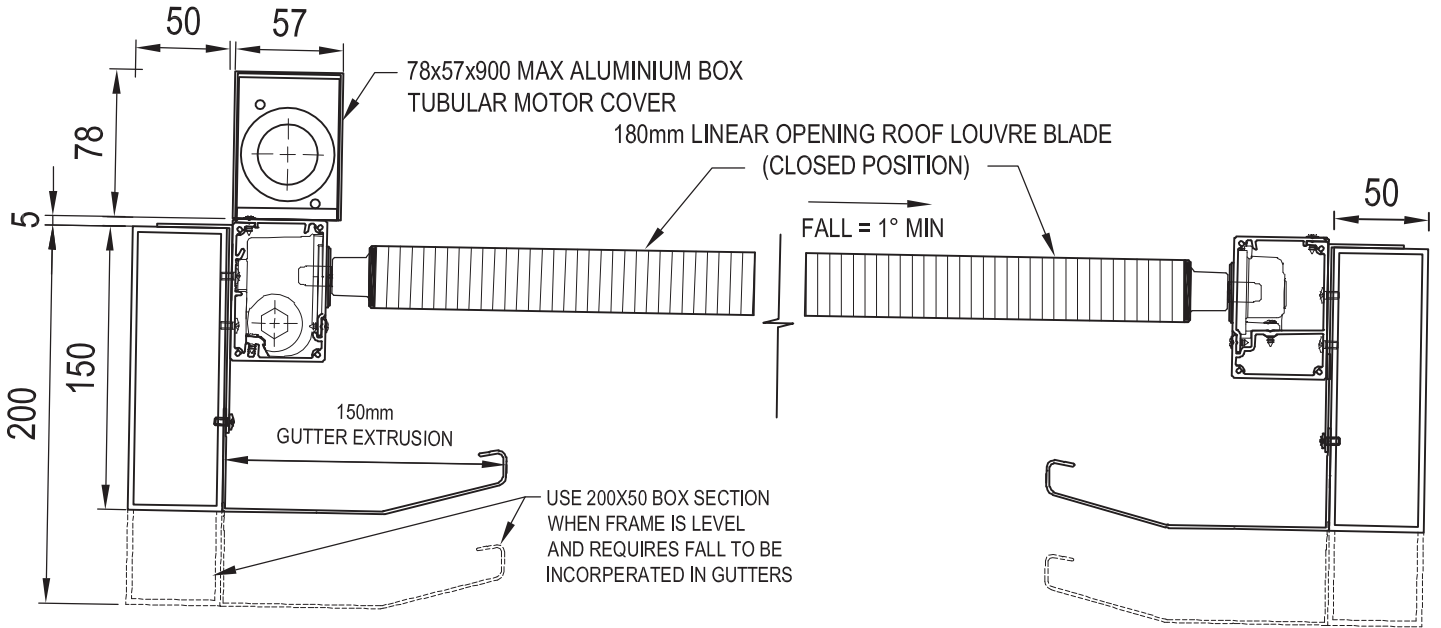
CORNER SECTIONAL VIEW - HAND OPENING



TYPICAL DETAIL - 180mm LINEAR MOTORISED OPENING ROOF

SIDE ELEVATION

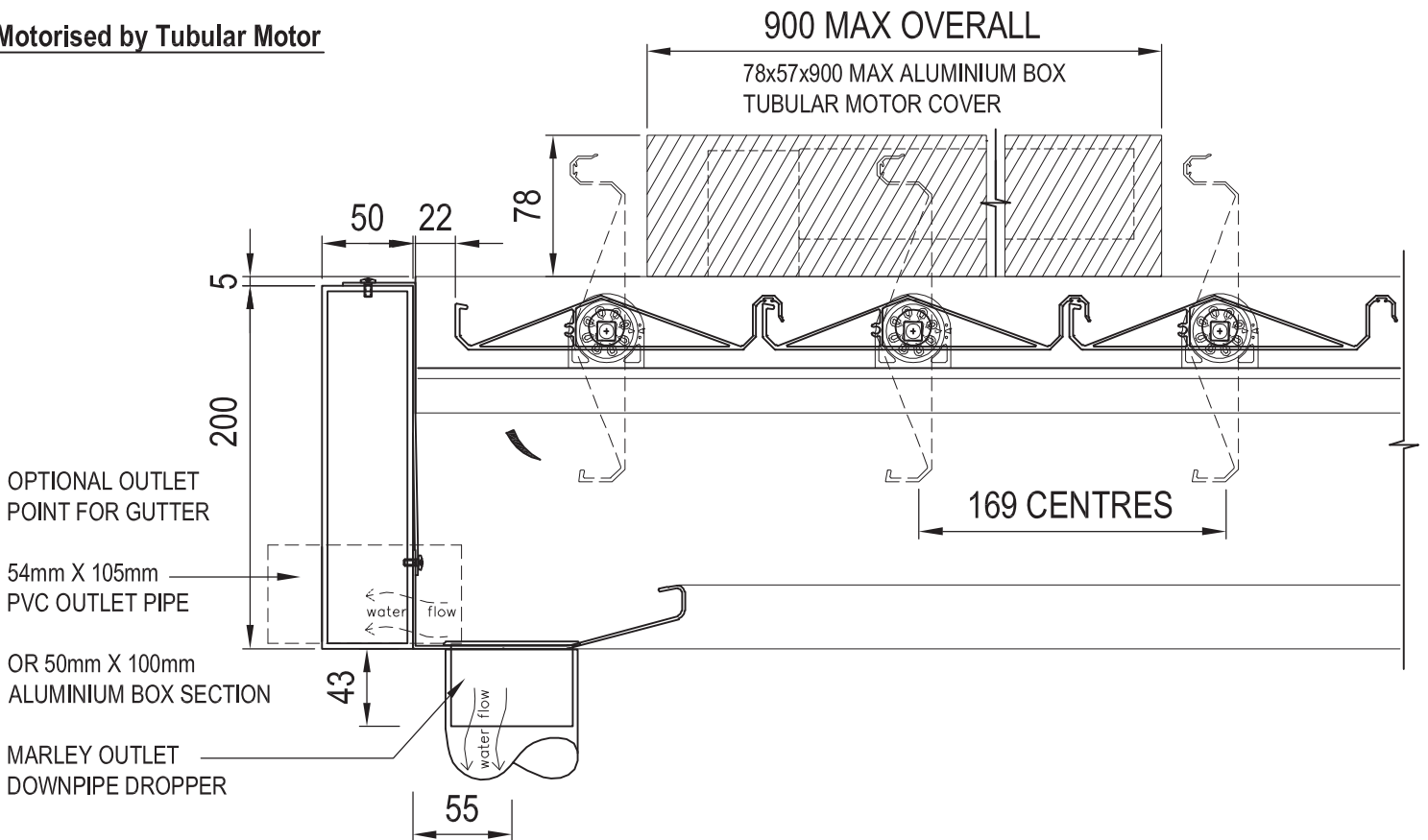
Drive Side - Motorised by Tubular Motor



DETAIL SHOWING FALL IN FRAME

END ELEVATION

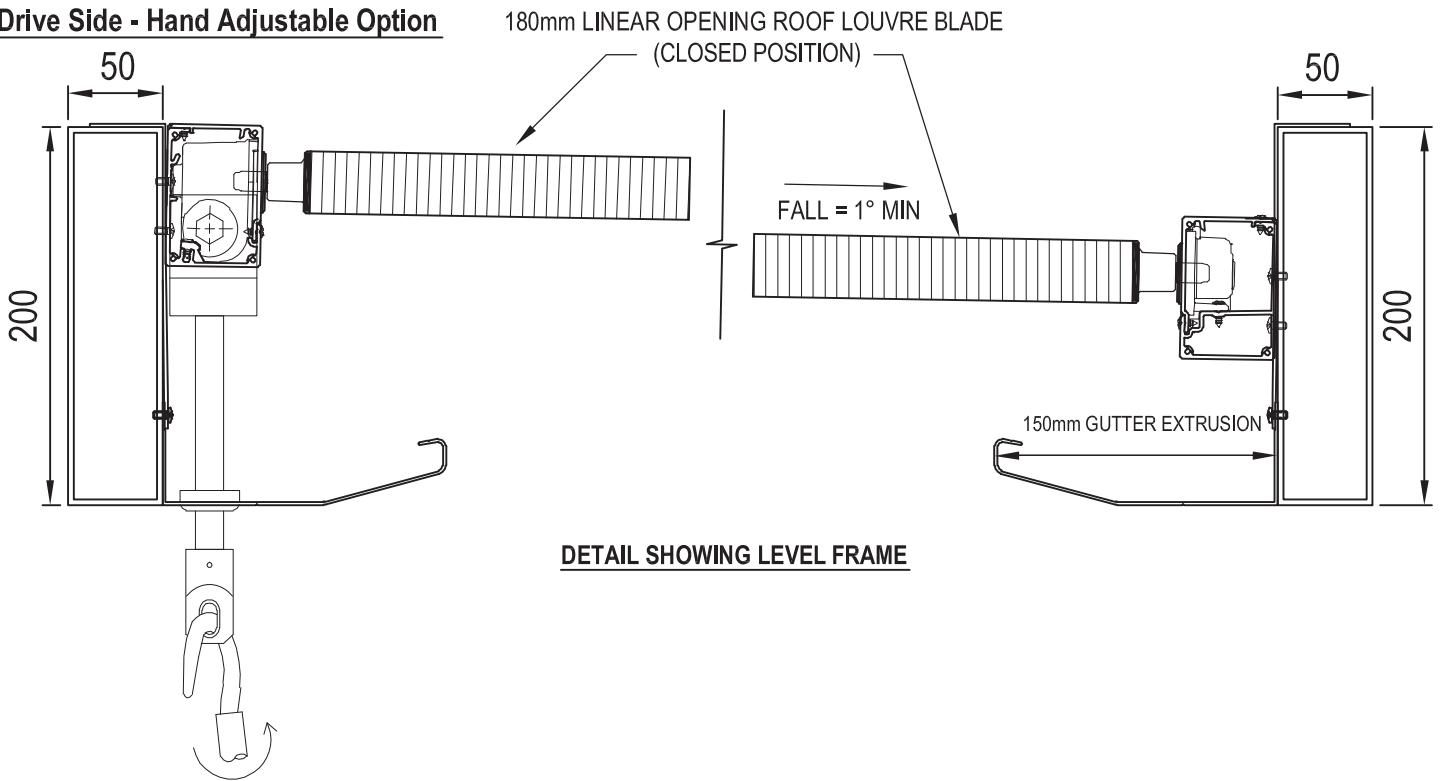
Motorised by Tubular Motor



TYPICAL DETAIL - 180mm LINEAR HAND OPENING ROOF

SIDE ELEVATION

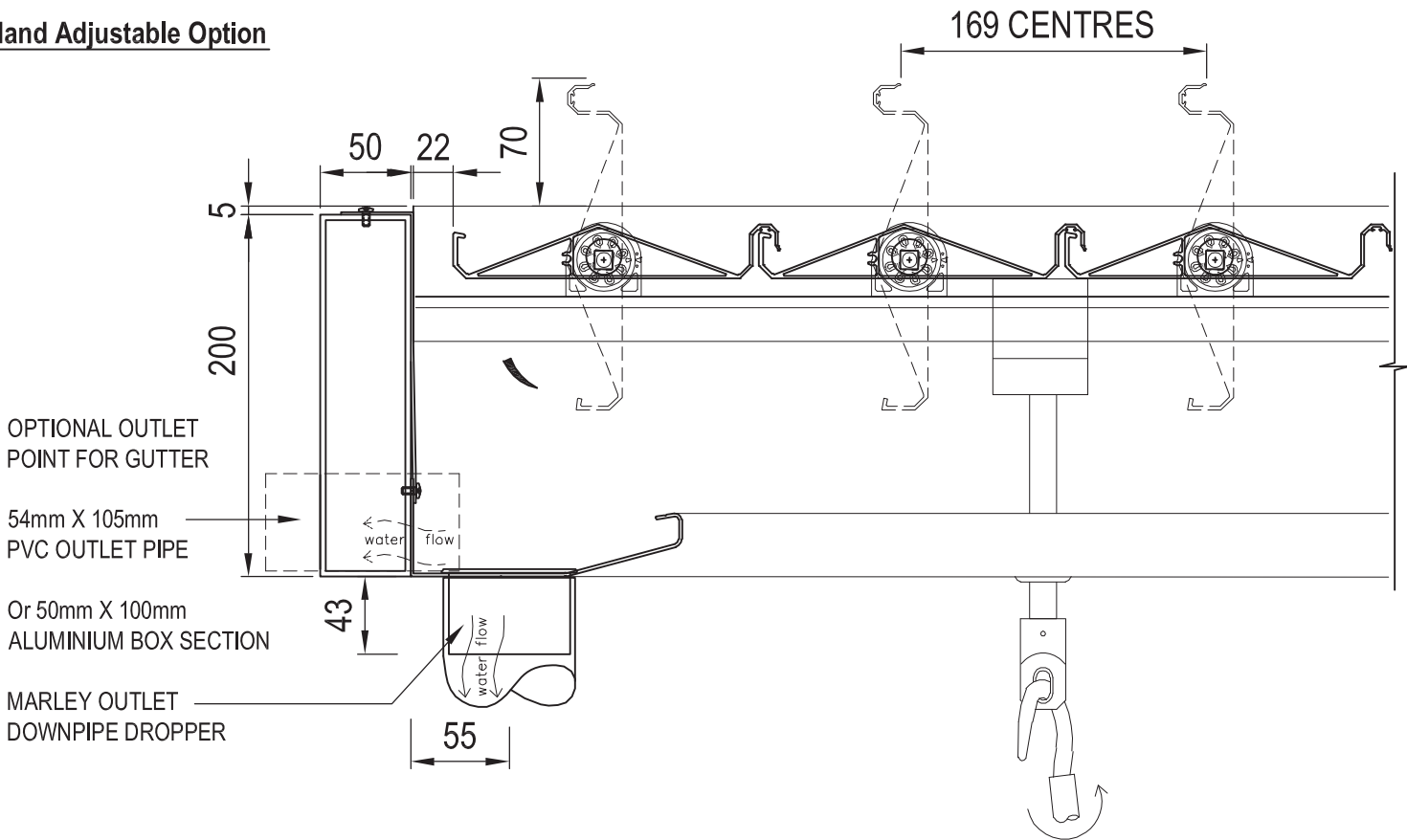
Drive Side - Hand Adjustable Option



DETAIL SHOWING LEVEL FRAME

END ELEVATION

Hand Adjustable Option



File	4.15
Scale	1:4
Date Modified	10 April 2006